

SOL-D-06

FEATURES

- Circular design creates a unique feature inspired by natural daylight.
- True Blue-Sky illumination delivers the appearance of an open sky indoors.
- Sunlight-spectrum technology = high colour accuracy and visual comfort.
- 24-hour circadian lighting follows natural daylight rhythms throughout the day.
- Bright, even light output enhances wellbeing and enlarges spaces.
- DALI, app and control panel compatibility for flexible lighting control.
- Compact round format ideal for feature ceilings and statement installations.

APPLICATIONS

Ideal for:

- Feature gallery lighting
- Residential feature ceilings
- Hotels and hospitality venues
- Wellness centres and spas
- Retail stores and showrooms
- Commercial reception areas
- Museums and exhibition



BLUE SKY

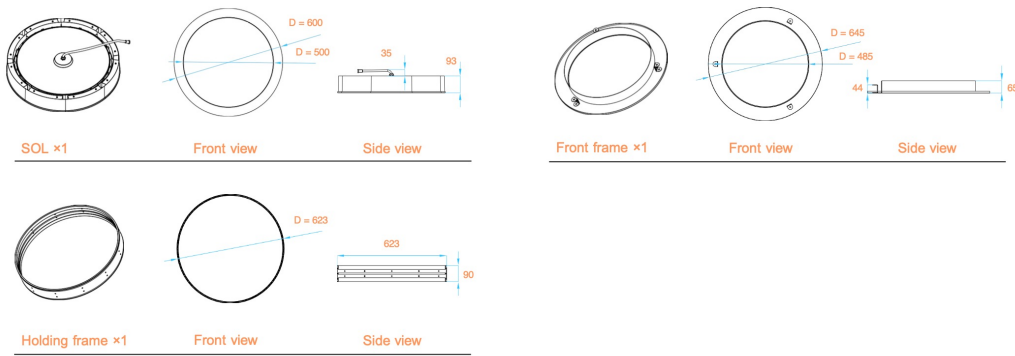
| Basic Parameters | Details |
|------------------|--------------------|
| Power | 125W |
| Voltage | 90-277Vac |
| Illumination | 3000lux |
| CCT | 2500-10000K |
| Ra | 98 |
| Light Tilt | 90° |
| Lifetime | 50000H |
| Sky Effect | True Blue |
| Control Method | APP Panel DALI |

| Basic Parameters | Details |
|------------------|-----------------|
| Dimming Range | 0-100% |
| Shell Material | Aluminium Alloy |
| Surface Material | Acrylic |
| Weight | 10kg |
| IP | 20 |
| Sol Size | D=605mm, H=93mm |
| Hole Size | D=628mm |
| Ceiling Height | >200mm |

Product Ordering

| PRODUCT CODE | PRODUCT TYPE | DIMENSIONS | ACCESSORIES |
|--------------|--------------|---------------------|----------------------------|
| SOL-D-06-B | BLUE SKY | D = 605mm, H = 93mm | Control panel, DALI driver |

DIMENSIONS



MOUNTING OPTIONS

RECESSED INSTALLTION



ACCESSORIES



AC DRIVER & ANTENNA



CONTROL DRIVER



CONTROL PANEL



RJ45 COUPLER

CIRCUIT DIAGRAM

