



LIVO TRACK 28W

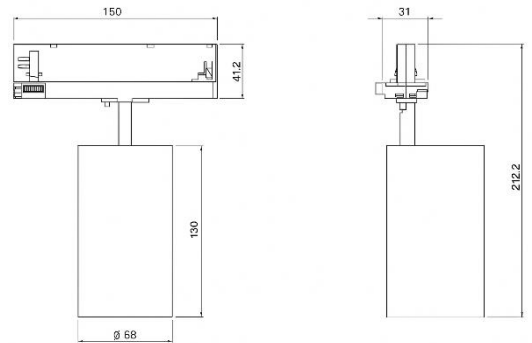
FEATURES

- Interchangeable decorative sleeve system allows customizable finishes (White, Black, Brass, Customisable).
- **Cost-effective:** users can change the look without replacing the entire fitting.
- Supports On/Of, Triac, 1-10V Knob, and DALI dimming options
- Adjustable with 350° horizontal rotation and 90° vertical tilt
- Delivers 3400 lm (3000K) or 3800 lm (4000K) output with CR190 colour accuracy



| Basic Parameters | Details |
|--------------------|---------------------------------|
| Power | 28W |
| Track System | 3 Phase 4 Wires |
| Material | Aluminium |
| Light source | COB |
| Operating Voltage | AC220V |
| Rotation Angle | 350° |
| Tilting Angle | 90° |
| IP Rating | IP20 |
| System Lumen | 3400lm (3000K) / 3800lm (4000K) |
| Colour Temperature | 3000K / 4000K |
| Insulation Class | |

DIMENSIONS



SLEEVES

