



LIVO FORM

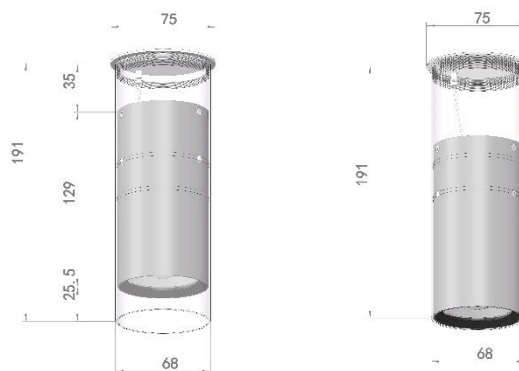
FEATURES

- Designed alongside Australian builders and installers for easiest and best installation
- Trimless recessed finish when installed with off form concrete for minimal effect
- Internal dimmable/DALI drivers
- Designed to be very easy to install and maintain
- High light output with adjustable flush and sunken light options
- Matches other LIVO products for uniform lighting and aesthetic throughout



| Basic Parameters | | Details | |
|--------------------------|--|------------|--|
| Description | Trimless Downlight For Off Form Concrete | | |
| Finishes | White, Black, Brass, Custom | | |
| Colour temp | 3000k | 4000k | |
| Lumen Output | 2160lm | 2448lm | |
| Size | 68mm*129mm | 68mm*191mm | |
| CRI | ≥90 | | |
| Wattage | 18W | | |
| Beam Angle | 24° / 36° / 50° | | |
| Fixture Voltage Driver | 240V AC (GU10) GU10 Lamp Provided | | |
| Dimming | Non-Dim (ND), Phase (DIM), DALI | | |
| IP Rating | IP20 / IP65 (Custom) | | |
| Warranty | 5 years | | |

DIAGRAMS



FINISHES



BLACK,
SMOOTH
(BLK)



WHITE,
SMOOTH
(WHT)



BRASS,
SMOOTH
(BRS)

| Product Ordering | | | | |
|------------------|------------|-------------|-------------|---------------|
| CODE | KELVIN (K) | DIMMING (D) | FINISH (F) | IP |
| LIVO-K-F-IP | 3000K | ND/DIM/DALI | BLK/WHT/BRS | IP20/ IP65 |