

LC1911K

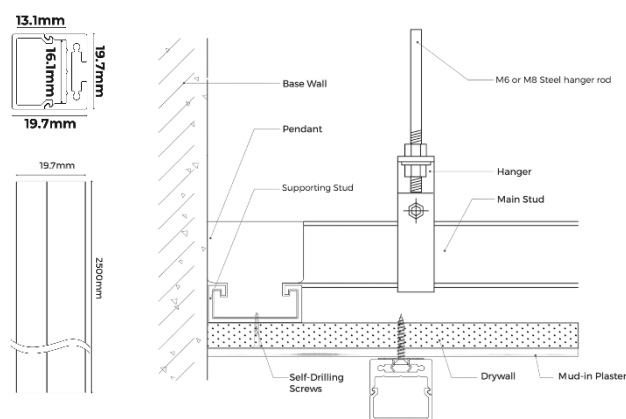
FEATURES

- Three-sided lighting provides a soft, uniform glow that enhances visual comfort and reduces glare.
- The aluminium profile ensures efficient heat dissipation, improving both safety and product longevity.
- The flexible material allows for easy customization and installation in a variety of settings.
- Its minimalistic, low-profile design integrates seamlessly into modern architectural environments.



| Basic Parameters | Details |
|---------------------|-------------------------|
| Material | Aluminium (AL6063-T5) |
| Surface Processing | White, Black, Anodising |
| Diffuser Material | PC |
| Heat Dissipation | Max 15W/m |
| Light Transmittance | >85% |
| Beam Angle | 30° / 60° |

DIMENSIONS



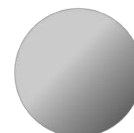
FINISH OPTIONS



Black



White



Silver

| Product Ordering | |
|------------------|---------|
| Code | Variant |
| LC1911K | 1911K |