



GLT45M-PRO

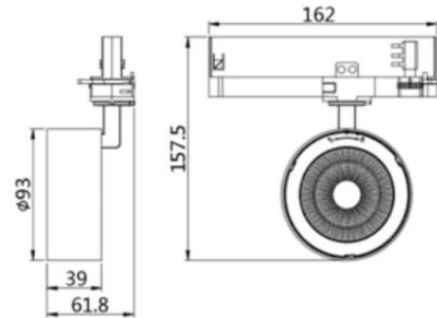
FEATURES

- Compatible with 6-wire, 4-wire, and 3-wire configurations
- Operates on 220-240V input voltage
- Supports On/Off, Triac, 1-10V Knob, and DALI dimming options
- Equipped with COB LED for efficient and uniform lighting
- Designed for a 50,000-hour lifespan (L80 at 25°C)
- Adjustable with 350° rotation and 90° tilt
- Rated IP20, ideal for indoor environments

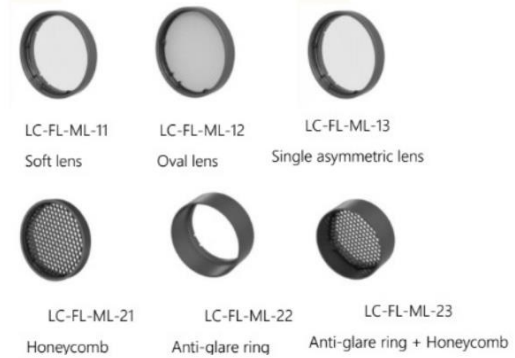


Basic Parameters	Details
Track System	6 wire, 4 wire, 3 wire
Input Voltage	220-240V
Dimmability	On/Off, Triac, 1-10V Knob, DALI
Light source	COB LED
luminaire Lifetime	L80, 50.000H, (Ta=25°C)
Rotation Angle	350°
Wattage	20W
CRI	90
Tilting Angle	90°

DIAGRAMS



FIXTURE OPTIONS



Product Ordering			
CODE	BEAM ANGLE	LUMINOUS	CCT
GLT45M-PRO-15	15°	1965 lm	4000K
		1785 lm	3000K
GLT45M-PRO-24	24°	1850 lm	4000K
		1697 lm	3000K
GLT45M-PRO-44	44°	1924 lm	4000K
		1828 lm	3000K
GLT45M-PRO-48	48°	2015 lm	4000K
		1832 lm	3000K
GLT45M-PRO-60	60°	1954 lm	4000K
		1775 lm	3000K