



# GLT45L-PRO

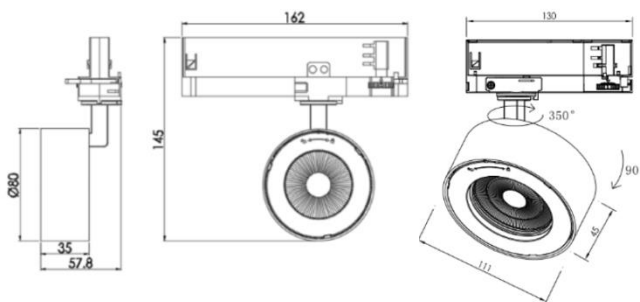
## FEATURES

- Compatible with 6-wire, 4-wire, and 3-wire configurations
- Operates on 220-240V input voltage
- Supports On/Off, Triac, 1-10V Knob, and DALI dimming options
- Equipped with COB LED for efficient and uniform lighting
- Designed for a 50,000-hour lifespan (L80 at 25°C)
- Adjustable with 350° rotation and 90° tilt
- Rated IP20, ideal for indoor environments

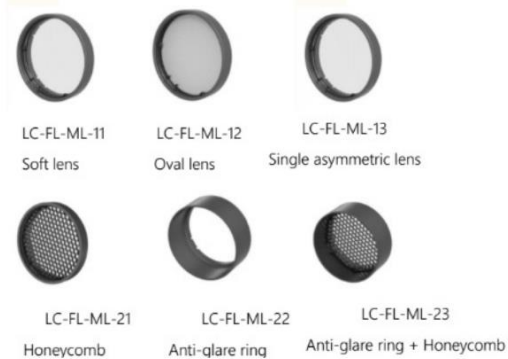


Basic Parameters	Details
Track System	6 wire, 4 wire, 3 wire
Input Voltage	220-240V
Dimmability	On/Off, Triac, 1-10V Knob, DALI
Light source	COB LED
luminaire Lifetime	L80, 50.000H, (Ta=25°C)
Rotation Angle	350°
Wattage	28W
CRI	90
Tilting Angle	90°

## DIAGRAMS



## FIXTURE OPTIONS



Product Ordering			
CODE	BEAM ANGLE	LUMINOUS	CCT
GLT45L-PRO-14	14°	2542 lm 2383 lm	4000K 3000K
GLT45L-PRO-24	24°	2497 lm 2341 lm	4000K 3000K
GLT45L-PRO-36	36°	2554 lm 2394 lm	4000K 3000K
GLT45L-PRO-45	45°	2780 lm 2606 lm	4000K 3000K
GLT45L-PRO-60	60°	2473 lm 2318 lm	4000K 3000K