



GLOPRO1010 | WHITE



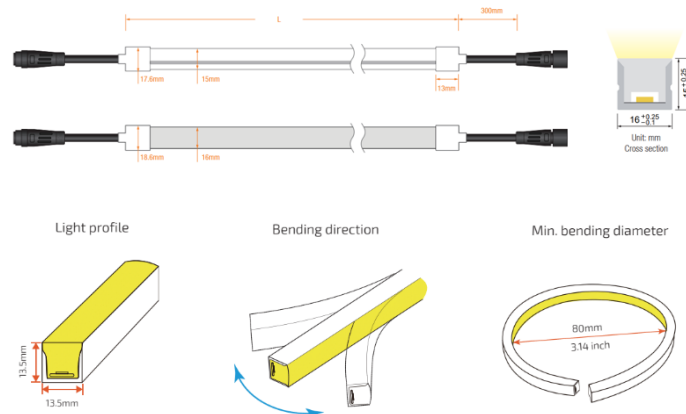
FEATURES

- The GloPro Neon Light 1010 is a high-quality, flexible, and energy-efficient lighting solution perfect for both indoor and outdoor applications.
- With vibrant colour options, easy installation, and weatherproof durability, it's ideal for creating eye-catching displays and enhancing any space with modern, stylish illumination.
- Glopro Neon – 1010 series

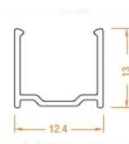


Basic Parameters	Details
Size	0mm x 10mm x 5000mm (or custom)
Continuous Max Run	10 metres
IP Rating IP65	>IP67
Finish (F)	White (W), Black (B)
Input Voltage	DC24V
Typical power	10W/1m or 50W/5m
CCT	2700K, 3000K, 4000K, 65000K, CCT, RGB+CCT
CRI	>90
Beam Angle	60°, 90°, 170°
Warranty	5 years or 30,000 hours
Energy Efficiency Class	A+
Control	Phase-cut leading & trailing / 0-10V / 1-10V / PWM / DMX / DALI

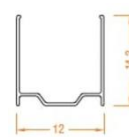
DIAGRAMS



RECOMMENDED PROFILES



GLOPRO-1010A-1000
(1000MM & ALUMINIUM)



GLOPRO-1010P-1000
(1000MM & PC PROFILE)

Product Ordering			
CODE	COLOUR	LM/M	STOCK
GLOPRO-24-1010-2700-67W	2700K	820	YES
GLOPRO-24-1010-3000-67-W	3000K	900	YES
GLOPRO-24-1010-4000-67-W	4000K	980	YES
GLOPRO-24-1010-6500-67-W	6500K	1000	YES
GLOPRO-24-1010-RGB-67-W	RGB	620-630nm	S/O
GLOPRO-24-1010-RGB+CCT-67-W	RGB+CCT	520-530nm	S/O