

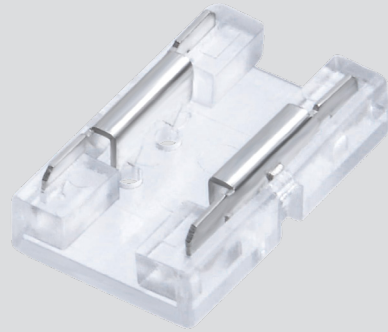


# STRAIGHT CONNECTOR

## 2-CORE 8MM

### FEATURES

- Click'n'Play straight LED strip connector.
- No soldering needed!
- Ultra slim and ultra strong.
- Very fast, easy and reliable.
- Gapless connection, no break in light.
- Fits any profile that fits 8mm strip.
- Works with any 8mm 2-core (single colour) strip light.

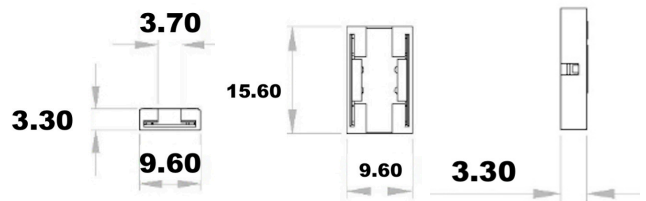


### SPECIFICATION

#### Basic Parameters

Size	15.6mm x 9.6mm x 3.3mm
Pin Quantity	2 Pin (single colour)
Connection Type	Strip to Strip
Colour	Transparent
Temperature Resistance	105° C
Voltage	DC 3-24 V
Current	5.5A
IP Rating	IP20
Strip Width	8mm

#### Technical Diagram



#### Connection Instructions

1. Push strip through the gap
2. Make strip meet at middle line
3. Clamp metal teeth to pierce PCB one by one
4. Connection completed

#### Recommended Solution/Accessories

<b>LED STRIPS</b> DFR IP20		<b>CONNECTORS</b> SC-FEED-2C	
<b>PROFILE</b> 1607		SC-CNR-2C	
<b>TRANSFORMER</b> PDV-75-24 (DIM)		SC-WIRE-STR-2C	

#### Product Ordering

CODE	SHAPE	TYPE	STOCKED
SC-STR-2C	Straight	Strip to Strip	YES